

# Flowetch Metal Etching System

The Flowetch Classic is a semi-automatic marking system used for medium to high volumes.

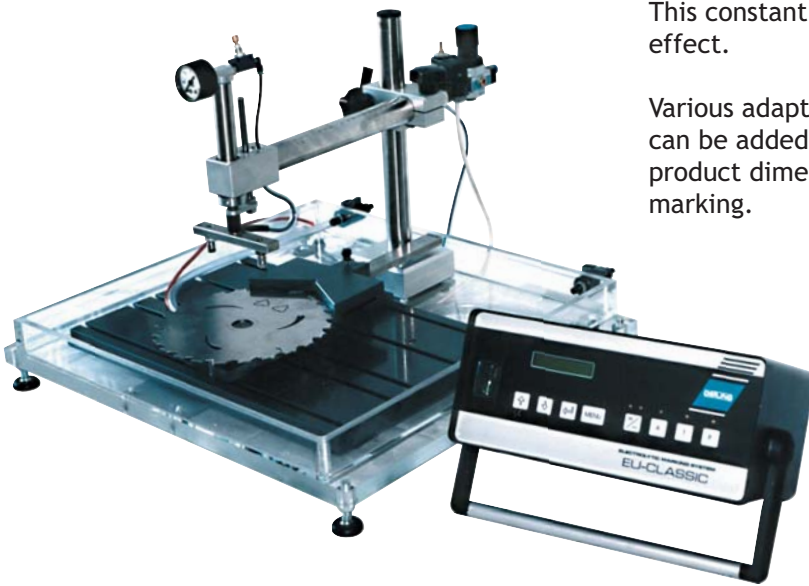
The system consists of:

- An EU Classic power unit (300, 500, 1000)
- Adjustable Pneumatic piston
- Perspex overflow basin
- Product XY backstops
- 3 litre electrolyte reservoir and inbuilt pump

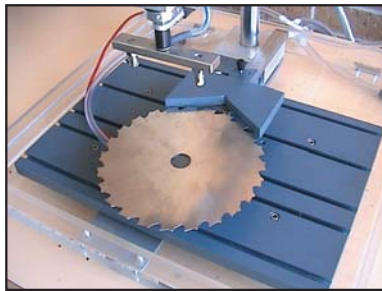
The system operates by the activation of a footswitch, which activates the pneumatic piston - pressing it down onto the stencil onto the product. The marking cycle is automatically completed with the preset marking settings, piston pressure and electrolyte feed to the marking head.

In the Flowetch system, the electrolyte overflows from the marking head into the basin, and is recycled back to the reservoir. This constant feed has a cooling and cleaning effect.

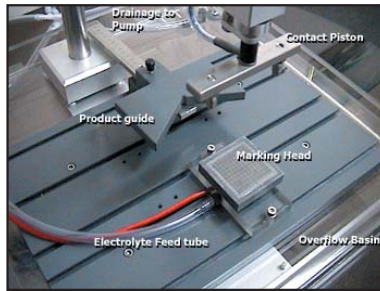
Various adapters, jiggings and other fixtures can be added to the system to suit various product dimensions or multiple product marking.



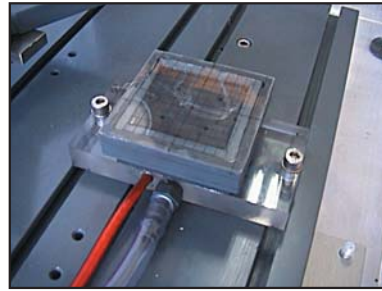
Left:  
LP Flowetch 300 CLASSIC



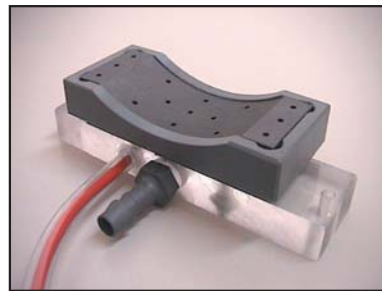
V-Block sawblade jigging



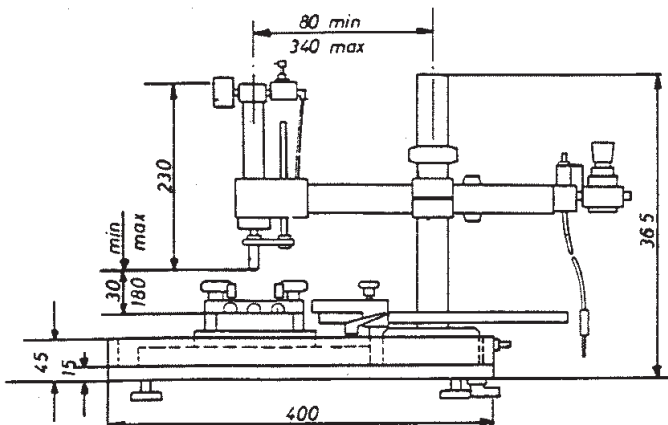
Basin Layout



Flat marking head



Milled marking head



## Trend Marking Systems

PO Box 1311 Castle Hill NSW 2154  
 TEL: 02 96299535 FAX 02 96297535  
 EMAIL: trend@trendmarking.com.au  
 www.trendmarking.com.au

