



*Shown with the Genesis
SINGLELINE Small Character Printer
Dimensional Drawing on Reverse Side*

Adjusts Easily for Precise, Stable Ink Jet Coding

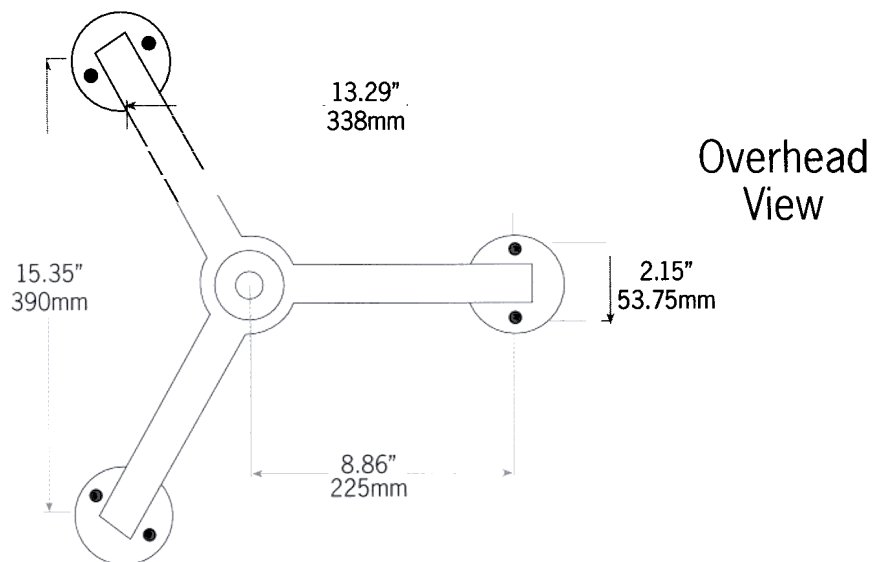
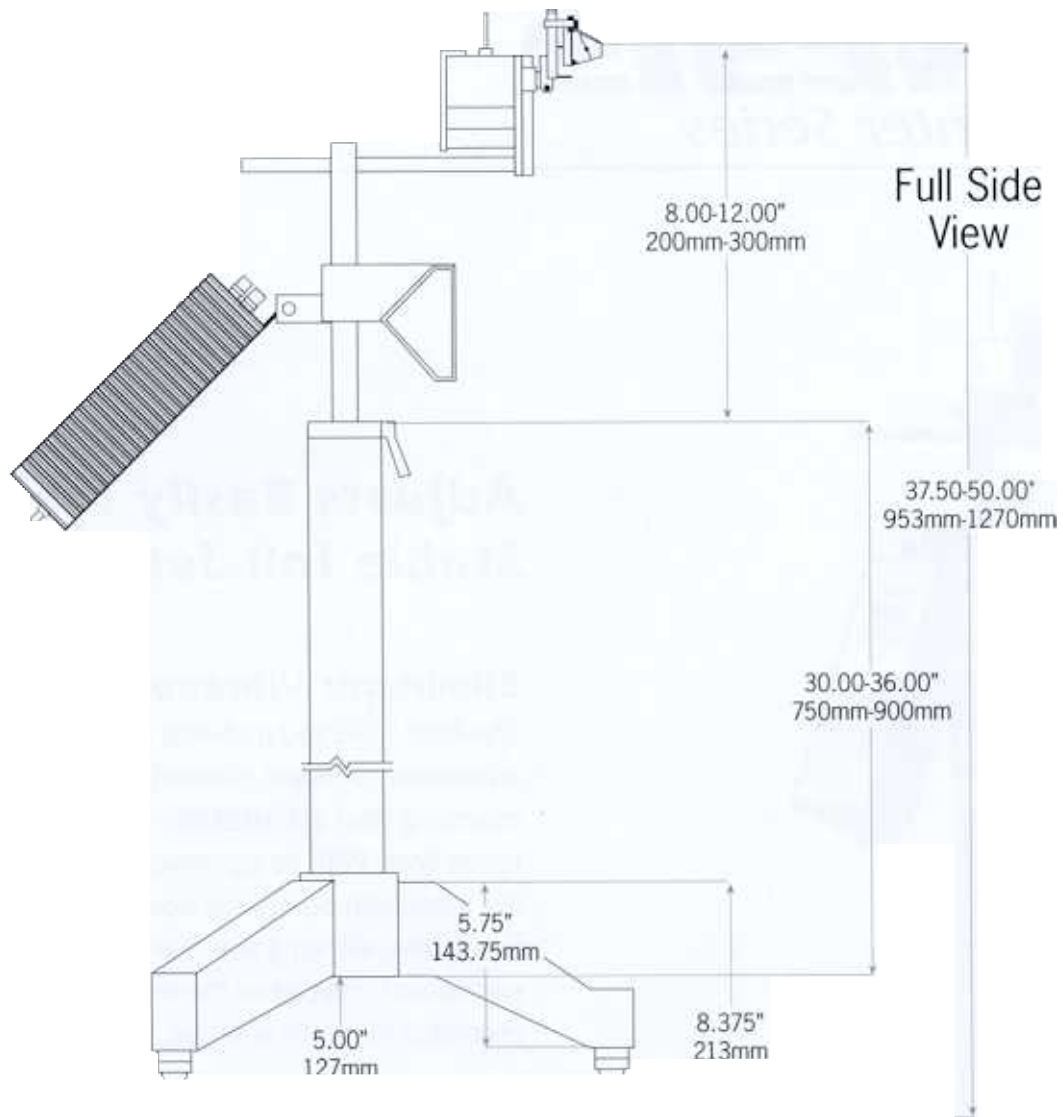
Eliminates Vibration

The floor mounted pedestal stand completely eliminates conveyor induced vibration by securely mounting your **GENESIS**[™] ink jet printer directly to the floor. With its lightweight, yet stable design, the stand can be moved from one production line to another, allowing you even more flexibility. For permanent installation the tripod leveling feet are predrilled for 5/16" anchors.

Accommodates all Genesis printers

The stand is designed to accommodate the complete line of Genesis ink jet printers — including the **SINGLELINE**[™], **TWINLINE**[™], the original Genesis system, and the **GENESIS** Large Character ink jet printer .

For flexibility and clear, consistent code quality, the floor mounted pedestal stand and your Genesis ink jet printer are a perfect combination.



Floor Mounted Pedestal Stand
